

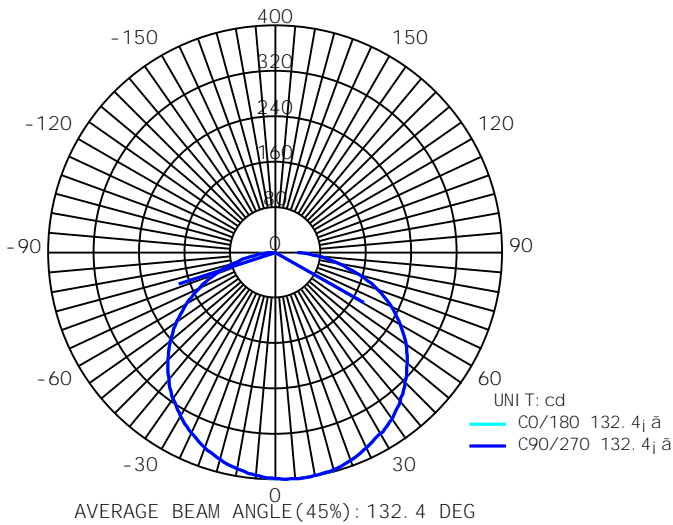
LUMINAIRE PHOTOMETRIC TEST REPORT

Report number:

MANUFACTURER: Lamppukauppa Led Store Oy		
ADDRESS: Mesikukantie 16, 01300 VANTAA www.ledstore.fi		
NAME: LED strip HELMI, 3500K, 24V, 17W/m, IP21, CRI96	SKU: STRIP17-24V-IP20-3500-SMD	TYPE: LED
SPECIFICATION: LED light strip	NOTES: Single color	MEASURED BY: Lamppukauppa Led Store Oy

DATA OF LAMP		I max(cd)	400.0	S/MH(C0/180)	1.39
MODEL		EFFICIENCY(%)	100.0	S/MH(C90/270)	1.39
NOMINAL POWER(W)	17	TOTAL FLUX(lm)	1333.4	Voltage(V)	24.00
RATED VOLTAGE(V)	24	EFFICIENCY(lm/W)	74.1	Current(A)	0.750
NOMINAL FLUX(lm)	1333.5	η up(%)	0.0	Power(W)	18.00
LAMPS QUANTITY	1	η down(%)	100.0	Power Factor(PF)	1.000
TEST VOLTAGE(V)	24.0	Effective Flux(lm)	1324.8	EEL	0.185(A)

LUMINOUS INTENSITY DISTRIBUTION



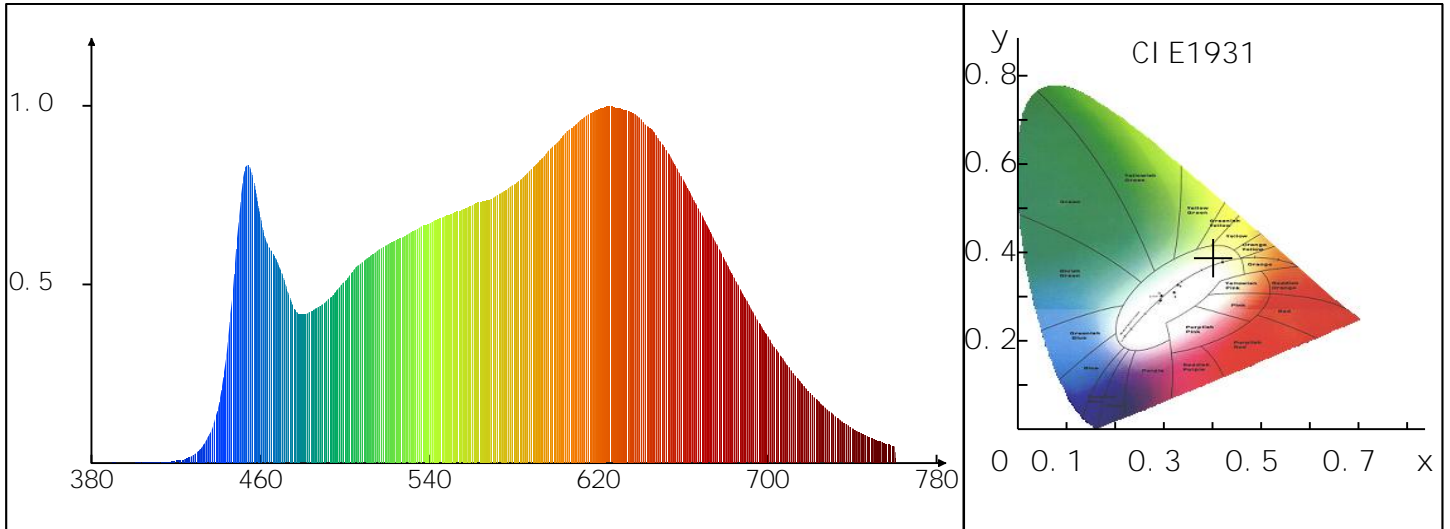
Test System: HopooColor HP880
 Temperature: 25.3 DEG
 Operators:
 Test Date: 09-20-2024

Test Set: 5.0deg/s C-Gamma (TYPE C)
 Humidity: 65.0%
 Test Distance: 1.000 m
 Remarks:

Spectrum Chart

Report number:

MANUFACTURER: Lamppukauppa Led Store Oy		
ADDRESS: Mesikukantie 16, 01300 VANTAA www.ledstore.fi		
NAME: LED strip HELMI, 3500K, 24V, 17W/m, IP21, CRI96	SKU: STRIP17-24V-IP20-3500-SMD	TYPE: LED
SPECIFICATION: LED light strip	NOTES: Single color	MEASURED BY: Lamppukauppa Led Store Oy



Avg Chro. Para.

CCT: 3508K Chro. Coord.: $x_a=0.4026$ $y_a=0.3843$ $u'_a=0.2366$ $v'_a=0.5082$ $|u'_a v'_a|=0.0010$

Current Angle: $C=0.0j^\circ$ $G=0.0j^\circ$

Chroma Parameters

Chro. Coord.: $x=0.4024$ $y=0.3840$ $u'=0.2366$ $v'=0.5080$ $duv=-0.0023$

CCT: 3510K Dominant Wave: 581.9nm Purity: 36.0% Light Intensity: 697.7cd

Flux RGB Ratio: R=46.7%, G=36.2%, B=17.1% Peak Wave: 623.9nm Half Width: 187.9nm

Rendering Index: Ra= 96.1

R1 =98	R2 =97	R3 =98	R4 =97	R5 =97	R6 =94	R7 =94	R8 =94
R9 =90	R10=96	R11=99	R12=79	R13=97	R14=99	R15=98	

Instrument State

Scan Range: 380nm-780nm Integral Time: 240.0ms Peak Signal: 240000 Dark Signal: 59319

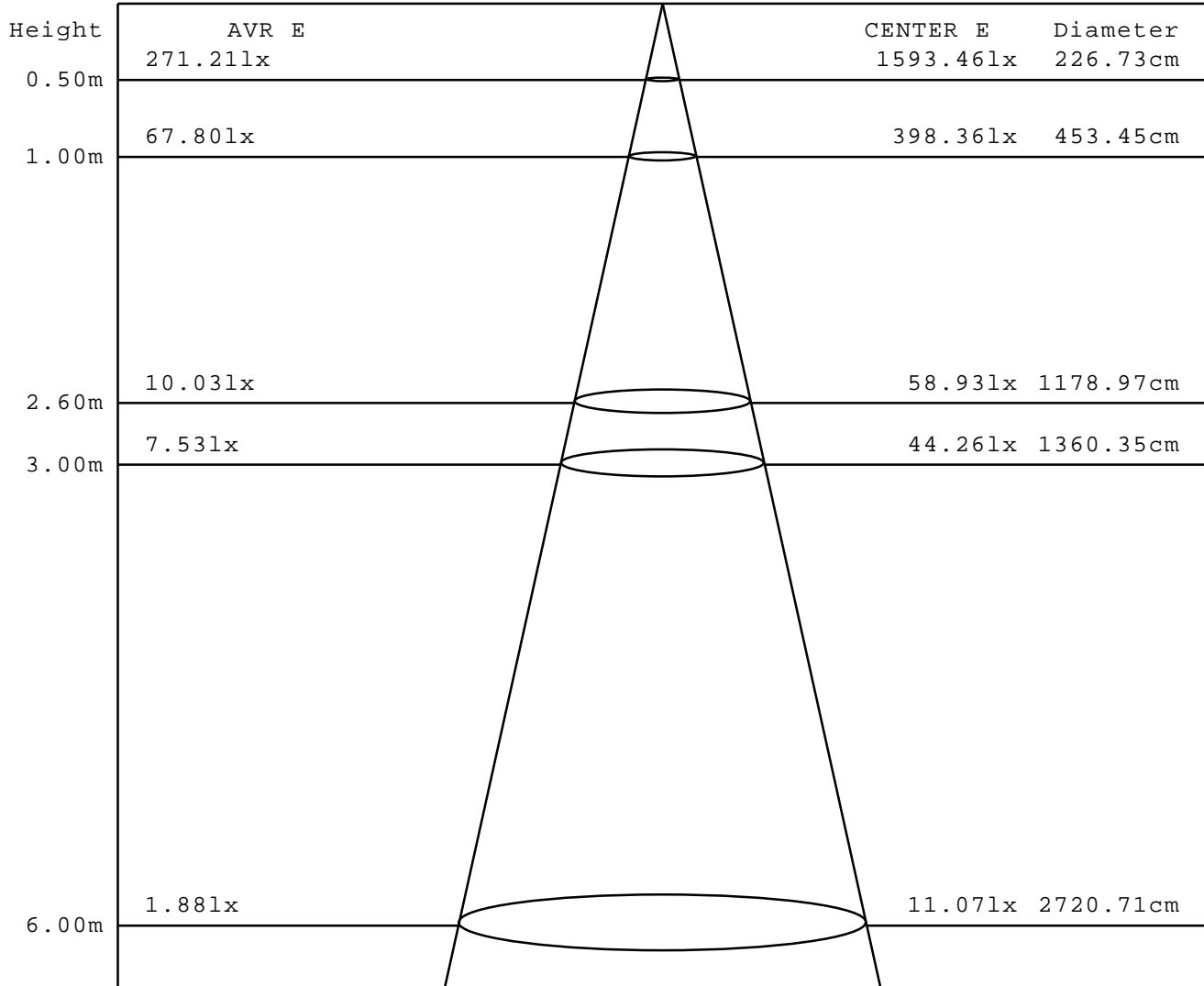
Test System: HopooColor HP880
 Temperature: 25.3DEG
 Operators:
 Test Date: 09-20-2024

Test Set: 5.0deg/s C-Gamma (TYPE C)
 Humidity: 65.0%
 Test Distance: 1.000 m
 Remarks:

AVERAGE AND CENTER E Figure

Report number:

MANUFACTURER: Lamppukauppa Led Store Oy		
ADDRESS: Mesikukantie 16, 01300 VANTAA www.ledstore.fi		
NAME: LED strip HELMI, 3500K, 24V, 17W/m, IP21, CRI96	SKU: STRIP17-24V-IP20-3500-SMD	TYPE: LED
SPECIFICATION: LED light strip	NOTES: Single color	MEASURED BY: Lamppukauppa Led Store Oy



Angle: 132.4deg

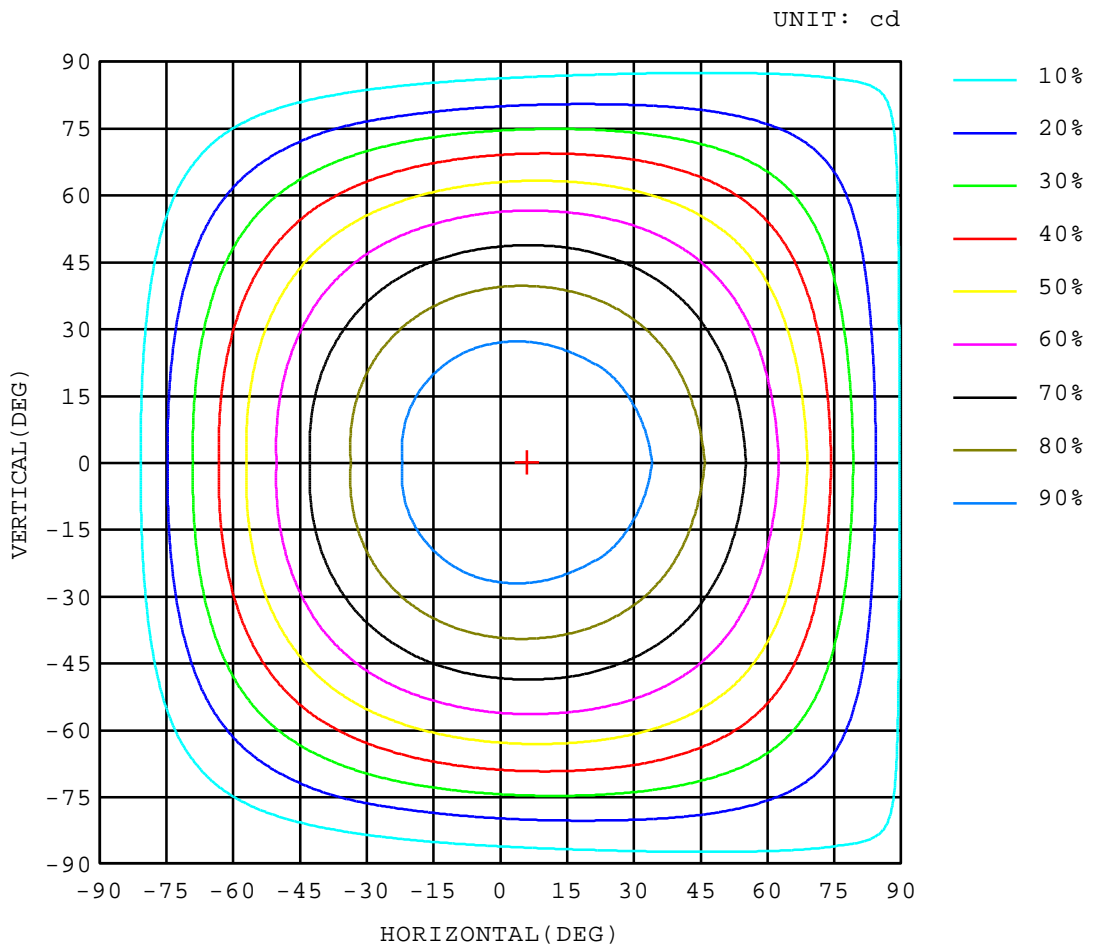
Test System: HopooColor HP880
 Temperature: 25.3DEG
 Operators:
 Test Date: 09-20-2024

Test Set: 5.0deg/s C-Gamma (TYPE C)
 Humidity: 65.0%
 Test Distance: 1.000 m
 Remarks:

ISOCANDELA DIAGRAM

Report number:

MANUFACTURER: Lamppukauppa Led Store Oy		
ADDRESS: Mesikukantie 16, 01300 VANTAA www.ledstore.fi		
NAME: LED strip HELMI, 3500K, 24V, 17W/m, IP21, CRI96	SKU: STRIP17-24V-IP20-3500-SMD	TYPE: LED
SPECIFICATION: LED light strip	NOTES: Single color	MEASURED BY: Lamppukauppa Led Store Oy



Test System: HopooColor HP880
 Temperature: 25.3DEG
 Operators:
 Test Date: 09-20-2024

Test Set: 5.0deg/s C-Gamma (TYPE C)
 Humidity: 65.0%
 Test Distance: 1.000 m
 Remarks: